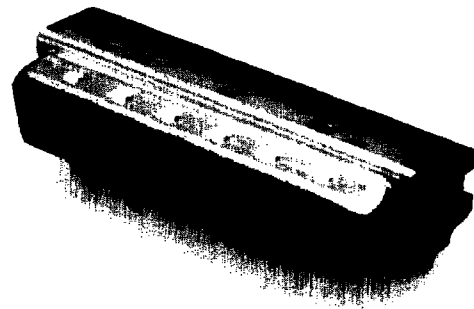


**IDC METAL SHELL
"D" PLUG
NO MOUNTING EARS
.050" x .100" CENTERS**



PHYSICAL PROPERTIES

INSULATION MATERIAL: Glass reinforced thermoplastic rated UL 94V-0
 COLOR: Black
 CONTACTS: Beryllium copper, 30 microinches gold over nickel plating in the mating area, tin/lead plating in the termination area.
 METAL SHELL: Tin plated steel

ELECTRICAL PROPERTIES

CURRENT RATING: 1 Amp
 INSULATION RESISTANCE: >1000 Megohms
 DIELECTRIC STRENGTH: >1000 VAC (Sea Level)

ENVIRONMENTAL PROPERTIES

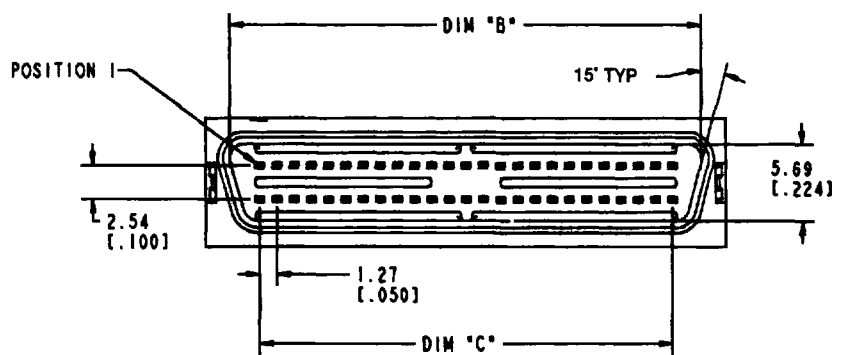
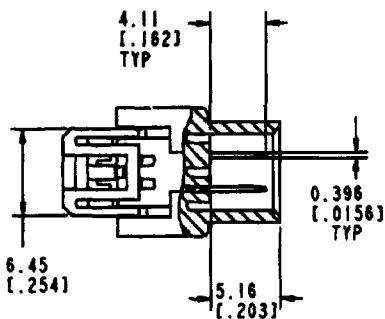
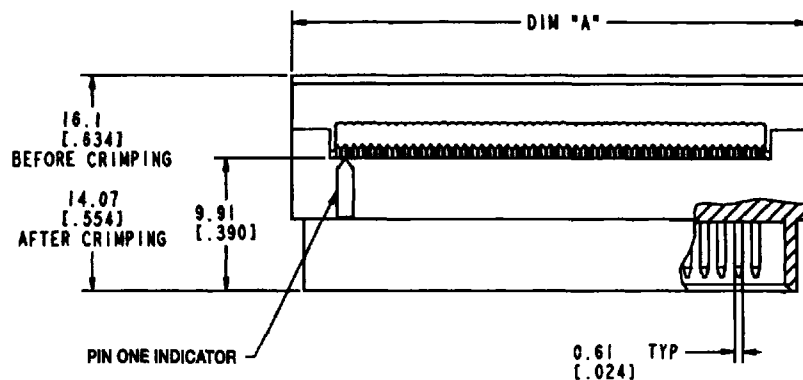
TEMPERATURE RATING: -55 C to 125 C

APPLICATION TOOLING

HAND TOOL PLATEN: 779-3112168A
 BENCH PRESS PLATEN: 779-3113168A

CABLE

See pages 93-101



Ordering Information

PART NUMBER	NUMBER OF CONTACTS	E		
311-026PM29	26	23.16 (0.912)	19.61 (0.772)	15.24 (0.600)
311-040PM29	40	32.05 (1.262)	28.50 (1.122)	24.13 (0.950)
311-050PM29	50	37.50 (1.476)	34.95 (1.372)	30.48 (1.200)
311-060PM29	60	43.00 (1.693)	40.28 (1.622)	36.81 (1.450)
311-080PM29	80	57.45 (2.262)	53.90 (2.122)	49.53 (1.950)
311-100PM29	100	70.15 (2.762)	66.60 (2.622)	62.23 (2.450)